

SuperSC S-TYPE MINIATURE LOAD CELL (U.S. & METRIC)

FEATURES & BENEFITS

- High force in a compact design
- Environmentally sealed IP66
- Economical general purpose load cell
- High stiffness/low deflection
- Insensitive to off axis loading

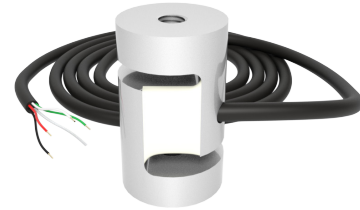
SPECIFICATIONS

Capacity	lbf	25	50	100	250	500	1K
	N	100	200	500	1K	2.5K	5K
ACCURACY – (MAX ERROR)							
Nonlinearity – %FS	±0.10						
Hysteresis – %FS	±0.10						
Nonrepeatability – %RO							
Static Error Band – %FS MAX							
Creep, in 20 min – % MAX	±0.05						
TEMPERATURE							
Compensated Range	°F	0 to +150					
	°C	-15 to +65					
Operating Range	°F	-65 to +200					
	°C	-55 to +90					
Effect on Output – % / °F	±0.0010						
Effect on Zero – %RO / °F	±0.0035						
ELECTRICAL							
Rated Output – mV/V (Nominal)	2.0 ±15%						
Zero Balance – %RO	±5.0						
Bridge Resistance – Ohm (Nominal)	350						
Excitation Voltage – VDC MAX	15						
Insulation Resistance – Megohm	5000						
MECHANICAL							
Deflection @ RO	in	0.001	0.002	0.001	0.002		
	mm	0.03	0.05	0.03	0.05		
Natural Frequency – Hz		4880	5500	5070	6200		
Calibration	Tension						
Safe Axial Load – %CAP MAX	150						
Weight	lb	0.05		0.1		0.26	
	kg	0.02		0.05		0.12	
Material	Anodized Aluminum			Stainless Steel			

OPTIONS

- High temperature version up to 300 °F
- Standardized output
- Submersible
- Fatigue rated (half output)
- Special calibrations (ISO 376, E74, 5 point)

STANDARD CONFIGURATION



Model SSC-25LBF (Shown)



Model SSC-250LBF (Shown)



Model SSC-500LBF (Shown)

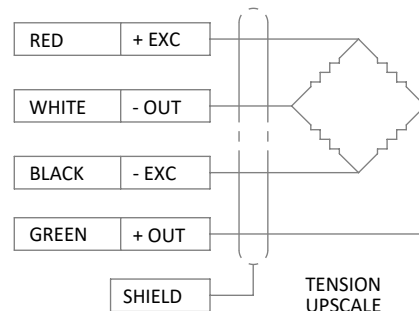
ACCESSORIES

- Pre-installed rod end bearings (See REB-104 for imperial & REB-204 for metric)

CONNECTOR OPTIONS

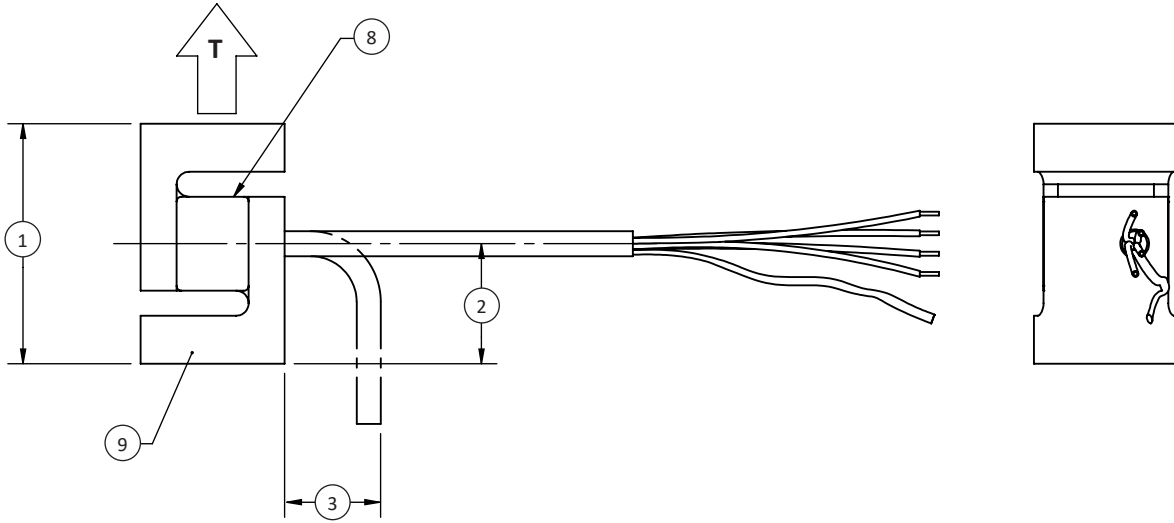
- 5 ft (1.5 m) integral cable

WIRING DIAGRAM

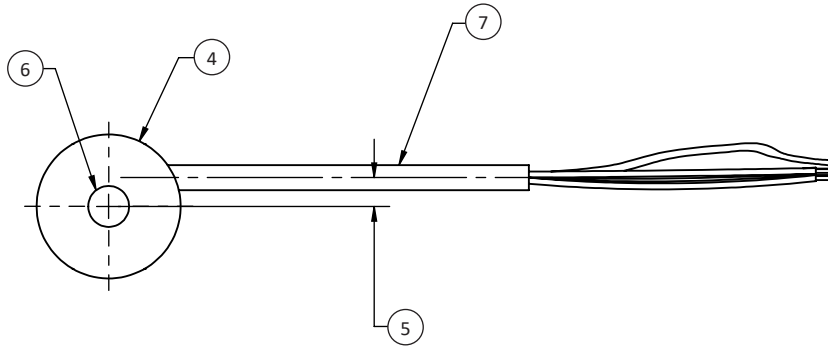


SuperSC S-TYPE MINIATURE LOAD CELL (U.S. & METRIC)

SIDE VIEW



TOP VIEW



Notes:
* T indicates tension load direction / primary axis

DIMENSIONS

See Drawing	CAPACITY					
	US (lbf)		Metric (N)		US (lbf)	
	25, 50	100, 200	100, 250	500, 1000	500, 1000	2.5, 5
	in	mm	in	mm	in	mm
(1)	1.25	31.8	1.25	31.8	1.63	41.3
(2)	0.63	15.9	0.63	15.9	0.81	20.6
(3)	0.50	12.7	0.50	12.7	0.50	12.7
(4)	∅0.75	∅19.1	∅0.75	∅19.1	∅1.00	∅25.4
(5)	0.15	3.8	0.15	3.8	0.17	4.4
(6)	¼-28 UNF-2B	M6 x 1-6H	¼-28 UNF-2B	M6 x 1-6H	⅜-24 UNF-2B	M8 X 1.25-6H
(7)	0.13 O.D. 4 Conductor 28 Gauge PVC Shielded Ultra-Flex Cable	3.3 O.D. 4 Conductor 28 Gauge PVC Shielded Ultra-Flex Cable	0.13 O.D. 4 Conductor 28 Gauge PVC Shielded Ultra-Flex Cable	3.3 O.D. 4 Conductor 28 Gauge PVC Shielded Ultra-Flex Cable	0.13 O.D. 4 Conductor 28 Gauge PVC Shielded Ultra-Flex Cable	3.3 O.D. 4 Conductor 28 Gauge PVC Shielded Ultra-Flex Cable
(8)	Silicone Potting					
(9)	Anodized Aluminum			Stainless Steel		